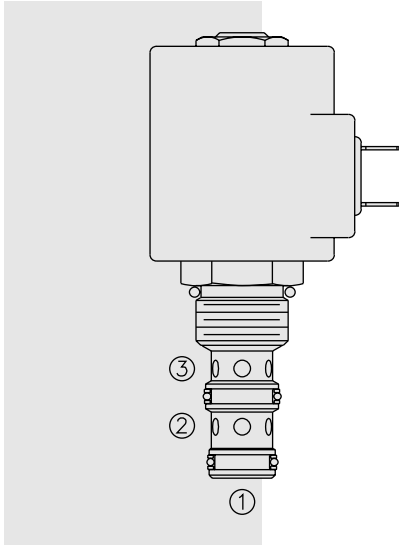


SOLENOID VALVES

SV10-31 Spool, 3-Way



DESCRIPTION

A solenoid-operated, 3-way, direct-acting, spool-type, screw-in hydraulic cartridge valve.

OPERATION

When de-energized, the **SV10-31** allows flow from ② to ①, while blocking flow at ③.

When energized, the valve shifts to open from ① to ③, while blocking at ②.

Operation of Manual Override Option: To override, push button in and twist counterclockwise 180°. The internal spring will push the button out. In this position, the valve may be only partially shifted. To assure full override shift, pull the button out to its fullest extension and hold it in this position.

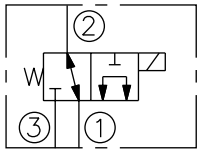
To return to normal valve function, push button in, twist clockwise 180°, and release. Override will be detented in this position.

FEATURES

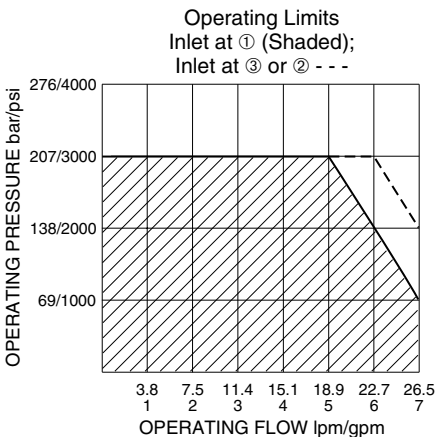
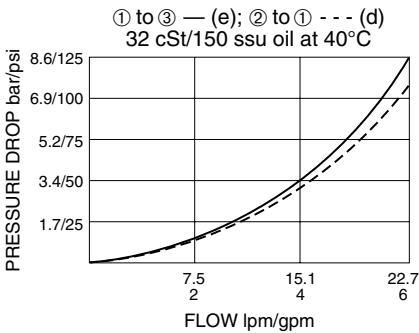
- Continuous-duty rated solenoid.
- Hardened precision spool and cage for long life.
- Optional coil voltages and terminations.
- Efficient wet-armature construction.
- All ports may be fully pressurized.
- Cartridges are voltage interchangeable.
- Manual override option.
- Optional waterproof E-Coils rated up to IP69K.
- Unitized, molded coil design.
- Industry common cavity.

SYMBOLS

USASI/ISO:



PERFORMANCE (Cartridge Only)



RATINGS

Operating Pressure: 207 bar (3000 psi)

Proof Pressure: 350 bar (5075 psi)

Flow: 22.7 lpm (6 gpm) max.

Internal Leakage: 82 cc/minute (5 cu. in./minute) max. at 207 bar (3000 psi)

Temperature: -40 to 120°C with standard Buna seals

Coil Duty Rating: Continuous from 85% to 115% of nominal voltage

Response Time: First indication of change of state with 100% voltage supplied at 80% of nominal flow rating: Energized: 60 msec.; De-energized: 10 msec.

Initial Coil Current Draw at 20°C: Standard Coil: 1.67 amps at 12 VDC; 0.18 amps at 115 VAC (full wave rectified). E-Coil: 2.0 amps at 12 VDC; 1.0 amps at 24 VDC

Minimum Pull-in Voltage: 85% of nominal at 207 bar (3000 psi)

Filtration: See page 9.010.1

Fluids: Mineral-based or synthetics with lubricating properties at viscosities of 7.4 to 420 cSt (50 to 2000 ssu)

Installation: No restrictions; See page 9.020.1

Cavity: VC10-3, See page 9.110.1

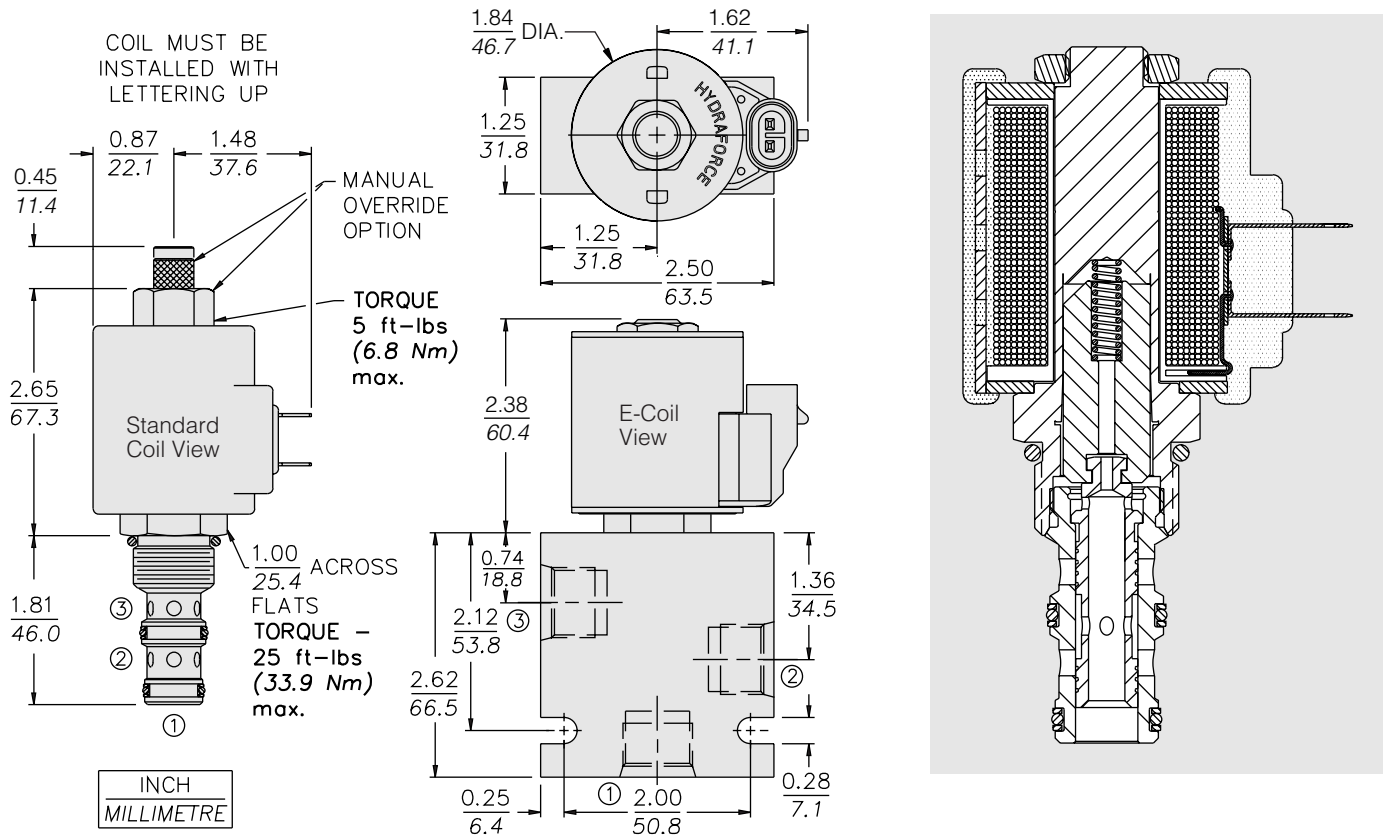
Cavity Tool: CT10-3XX; See page 8.600.1

Seal Kit: SK10-3X-MM; See page 8.650.1

Coil Nut: Part No. 7004400;

For E-coils manufactured prior to 1-1-04, see page 3.400.1 for coil nut info.

DIMENSIONS



MATERIALS

Cartridge: Weight: 0.14 kg. (0.30 lbs.); Steel with hardened work surfaces. Zinc-plated exposed surfaces. Buna N O-rings and polyester elastomer back-up standard.

Standard Ported Body: Weight: 0.36 kg. (0.80 lbs.); Anodized high-strength 6061 T6 aluminum alloy, rated to 240 bar (3500 psi); See page 8.010.1. Ductile iron and steel bodies available; consult factory.

Standard Coil: Weight: 0.27 kg. (0.60 lbs.); Unitized thermoplastic encapsulated, Class H high temperature magnetwire; See page 3.200.1.

E-Coil: Weight: 0.41 kg. (0.9 lbs.); Fully encapsulated with rugged external metal shell; Rated up to IP69K with integral connectors; **Note: See page 3.400.1 for all E-Coil retrofit applications.**

TO ORDER

SV10-31		-	-	-	-	-	-	-	-
Option									
None	(Blank)								
Manual Override	M								
Manual Override	Y								
Manual Override	J								
For Manual Override options see page 1.001.1									
Porting									
Cartridge Only	0								
SAE 6	6T								
SAE 8	8T								
1/4 in. BSP*	2B								
3/8 in. BSP*	3B								
*BSP Body; U.K. Mfr. Only									
Seals									
Buna N (Std.)	N								
Fluorocarbon	V								
						Voltage			
						Std. Coil			
						0	Less Coil**		
						10	10 VDC†		
						12	12 VDC		
						24	24 VDC		
						36	36 VDC		
						48	48 VDC		
						24	24 VAC		
						115	115 VAC		
						230	230 VAC		
									Termination (VDC)
									Std. Coil
									DS
									Dual Spades
									DG
									DIN 43650
									DL
									Leadwires (2)
									DL/W
									Leads w/Weatherpak® Connectors
									DR
									Deutsch DT04-2P
									Termination (VAC)
									Std. Coil
									AG
									DIN 43650
									AP
									1/2 in. Conduit
									Termination (VDC)
									E-Coil
									ER
									Deutsch DT04-2P (IP69K Rated)
									EY
									Metri-Pack® 150 (IP69K Rated)
									Coils with internal diode are available. Consult factory.